

VLS PAN/TILT BRACKET

VLS Pan/Tilt Bracket

- Pan and Tilt Bracket for all VLS products for optimal focusing on listening area
- Allows vertical tilt angles of up to 10°
- Allows horizontal pan angle of up to 70° with no tilt and up to 45° with full tilt (35° for the VLS 30)
- Durable aluminium and stainless steel construction
- High quality stainless steel with nickel zinc finish maximises corrosion resistance
- Semi matt black paint finish fits unobtrusively in any environment
- 10-Year Warranty Program*
- Designed and engineered in the U.K.

The VLS PAN/TILT BRACKET is ideally suited for use with all VLS Series Passive Column Array Loudspeakers, and provides accurate listening area focus via its broad pan and tilt capability. Engineered to deliver the ultimate in versatility and safety, the VLS PAN/TILT BRACKET features a hard wearing semi matt black paint finish that blends seamlessly with black VLS column loudspeakers.



Pan & Tilt Range

Designed to provide a wide range of vertical and horizontal adjustment for VLS Series Column Array Loudspeakers, the VLS PAN/TILT BRACKET enables optimal positioning and audience coverage. The dedicated mounting hardware allows vertical tilt angles up to 10°, horizontal pan angles up to 70° with no tilt, and up to 45° with full tilt (35° for the VLS 30), so you aim the sound where you need it.



*Warranty details can be found at music-group.com.

VLS PAN/TILT BRACKET

VLS Pan/Tilt Bracket

Construction

Manufactured from high quality aluminium and stainless steel with a nickel zinc finish, the VLS PAN/TILT BRACKET ensures stable and secure installations. This color matching of the mount and loudspeaker column respects the aesthetics of even the most sophisticated of architectural environments.



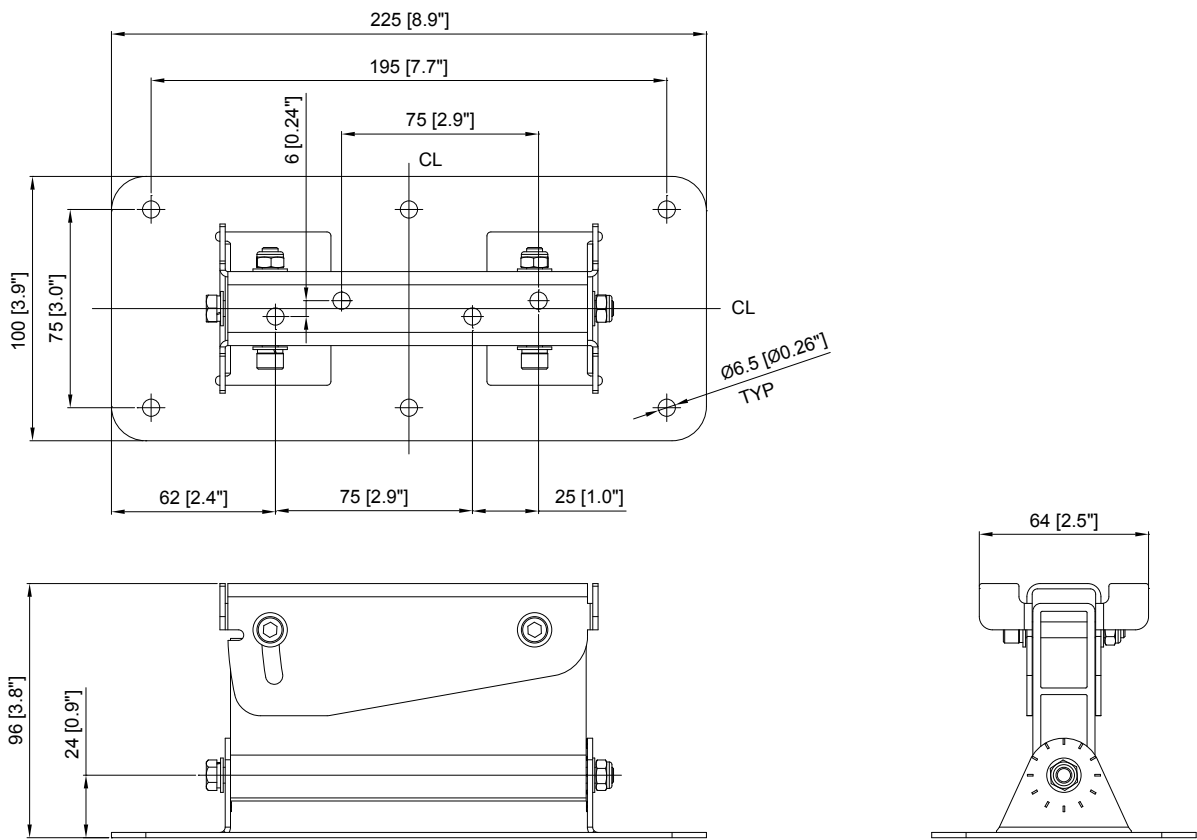
You Are Covered

We always strive to provide the best possible Customer Experience. Our products are made in our own MUSIC Tribe factory using state-of-the-art automation, enhanced production workflows and quality assurance labs with the most sophisticated test equipment available in the world. As a result, we have one of the lowest product failure rates in the industry, and we confidently back it up with a generous [Warranty program](#).

VLS PAN/TILT BRACKET

VLS Pan/Tilt Bracket

Dimensions



VLS PAN/TILT BRACKET

VLS Pan/Tilt Bracket

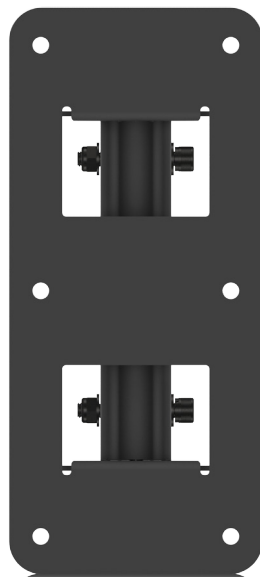
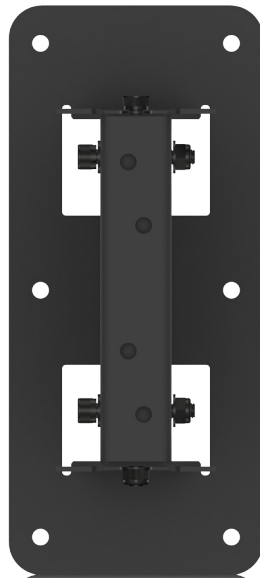
Technical Specifications

VLS PAN/TILT BRACKET

Hardware (screws, nuts and washers)	Stainless steel
Bracket material	Aluminium and steel with corrosion-resistant nickel zinc finish
Hardware (screws, nuts and washers)	Stainless steel

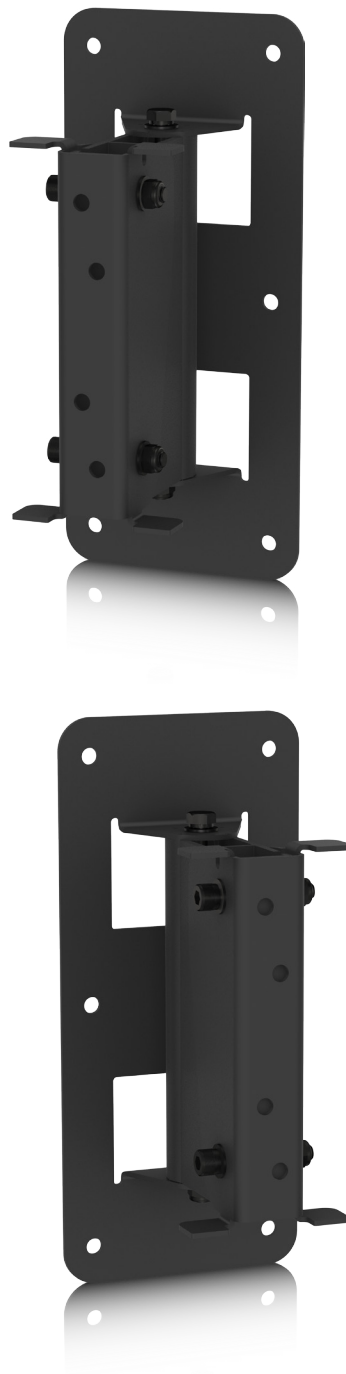
VLS PAN/TILT BRACKET

VLS Pan/Tilt Bracket



VLS PAN/TILT BRACKET

VLS Pan/Tilt Bracket



VLS PAN/TILT BRACKET

VLS Pan/Tilt Bracket



For service, support or more information contact the TANNOY location nearest you:

Europe
MUSIC Tribe Brands UK Ltd.
Tel: +44156 273 2290
Email: CARECrea@music-group.com
CAREEnte@music-group.com
CARELife@music-group.com

USA/Canada
MUSIC Tribe Commercial NV Inc.
Tel: +1 702 800 8290
Email: CARECrea@music-group.com
CAREEnte@music-group.com
CARELife@music-group.com

Japan
MUSIC Tribe Services JP K.K.
Tel: +81 3 6231 0453
Email: CARECrea@music-group.com
CAREEnte@music-group.com
CARELife@music-group.com

MUSIC Tribe accepts no liability for any loss which may be suffered by any person who relies either wholly or in part upon any description, photograph, or statement contained herein. Technical specifications, appearances and other information are subject to change without notice. All trademarks are the property of their respective owners. MIDAS, KLARK TEKNIK, LAB GRUPPEN, LAKE, TANNOY, TURBOSOUND, TC ELECTRONIC, TC HELICON, BEHRINGER, BUGERA and COOLAUDIO are trademarks or registered trademarks of MUSIC Group IP Ltd.
© MUSIC Group IP Ltd. 2018 All rights reserved.

TANNOY